

EVO E SUNFALL PERFORMANCE



5
YEAR
WARRANTY

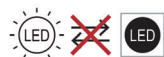
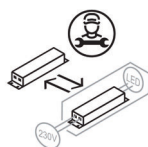


Operation and Maintenance Tips

- * Turn power off before inspection, installation or removal
- * The luminaire is not suitable for emergency lighting
- * All install and uninstall shall be done by a certified electrician
- * Do not operate luminaire with damaged parts
- * Exceeding maximum ratings for operating temperature and input voltage will reduce expected life time or destroy the product.

Energy Class

This product contains a light source in the energy efficiency class: **F** **A** **G**



Introduction

EVO E Sunfall PERFORMANCE delivers, with our newly developed technology, a light that comes as close to the known halogen quality as possible. A completely newly developed technique in our PERFORMANCE series ensures that the light simulates halogen light sources as best as possible. When the EVO E Sunfall is dimmed, the kelvin level is regulated from 3000K to 2200K and our new technology in the PERFORMANCE series ensures that the light remains REAL and does not feel "fake" in the lower kelvin levels. The PERFORMANCE series is therefore the perfect spot for those who long to return to the delicious light from the halogen light source.

Electrical and Photometric Characteristics

LED module power	6W
Input voltage of LED module	36VDC
IP rating	IP54
Nominal flux	540lm
CRI	Ra 98
SDCM	3 steps
Beam angle	45°
L90 Lifetime at Ta: 25°C	50,000 hrs
L80 Lifetime at Ta: 25°C	100,000 hrs
Switching cycles	> 100,000 times
Safety class of LED module	Class III
Energy class of LED module	F
System power with driver	7.5W
Nominal Voltage	220-240Vac 50/60Hz
Input current	38mA
Inrush current	< 2A
Power Factor	0.9
Working temperature range	-20°C ...+40°C
Percent flicker	< 2%
PstLM	< 1
SVM	< 0.4
Dimmable	Yes
IP rating of driver	IP20

Specifications

EAN Code	Module Wattage	Size mm (DxH)	CCT (Kelvin)	Rated Flux (Lm) *	CRI (Ra) *	Beam angle*	LED Energy Class	SDCM
EVO E Sunfall Indendørs/Udendørs Hvid								
5703047223016	6	90x42	2200-3000	540	98	45°	F	3
EVO E Sunfall Indendørs/Udendørs Sort								
5703047223023	6	90x42	2200-3000	540	98	45°	F	3

* Due to the special conditions of the manufacturing processes of LED, the typical data of technical parameters can only reflect statistical figures and do not necessarily correspond to the actual parameters of each single product which could differ from the typical value.

* A max ±7 % tolerance on the measurement of flux is deemed to be acceptable in any case.

* A max ±2 % tolerance on the measurement of CRI is deemed to be acceptable in any case.

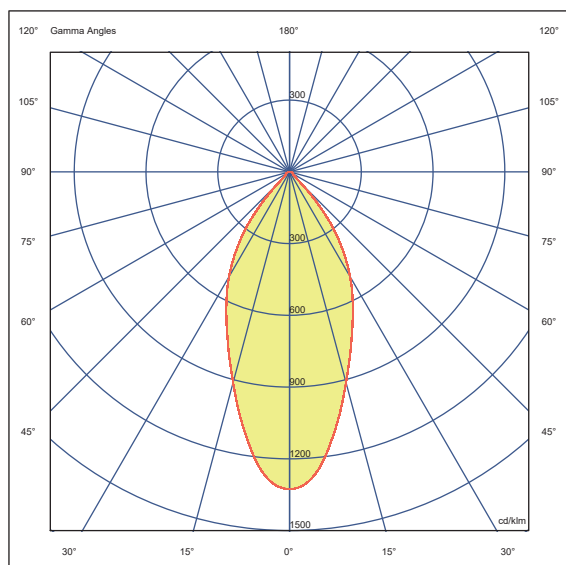
* A max ±10 % tolerance on the measurement of beam angle is deemed to be acceptable in any case.

* 38D version also available upone request.

Maximum loading of automatic circuit breakers

Breaker type	C10	C13	C16	C20	B10	B13	B16	B20	Inrush current	Inrush time
EVO E Performance Sunfall	120	160	200	240	60	80	100	120	Imax 2A	150µs

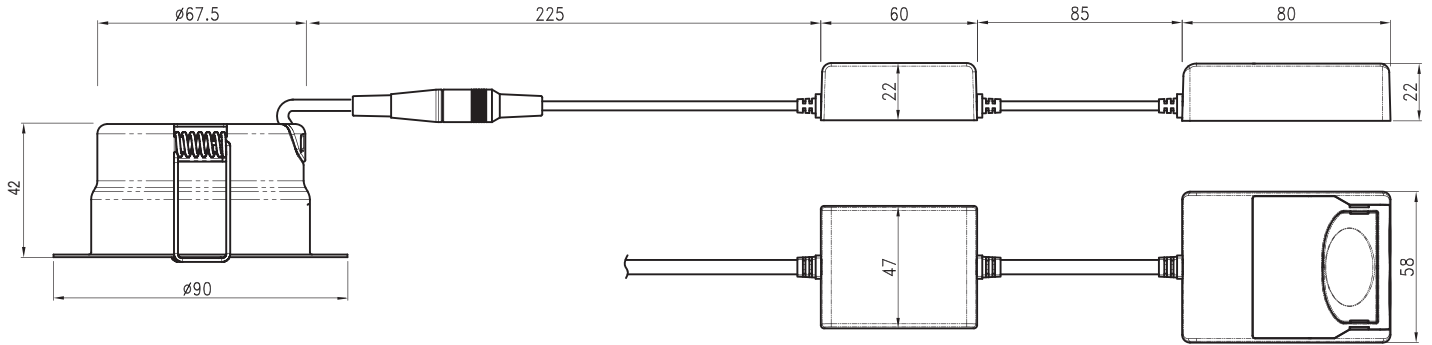
Distribution of luminous intensity



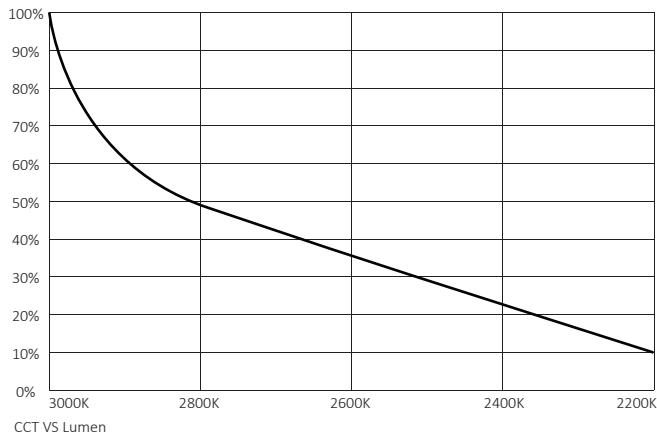
Dimension Diagram

Item	Outer Diameter (mm)	In-ceiling Height (mm)	Cut-hole (mm)
LED Module IP54	90	40	68-83

Item	Length (mm)	Width (mm)	Height (mm)
Connector box IP20	80	58	22
Driver box IP20	60	47	22



Color temperature VS brightness chart



Lifetime

