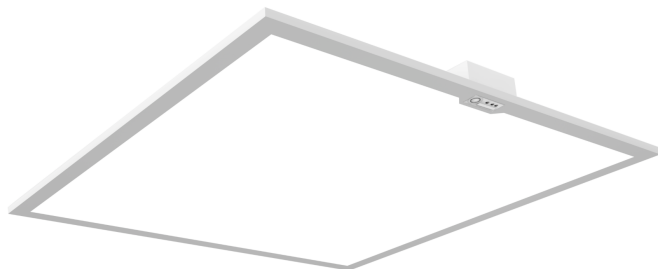


TOLEDO Connect Backlit



Product informaton

TOLEDO Connect backlit sikrer høj effektivitet med hele 150lm/W. Den indbyggede Philips MasterConnect SNS212 sensor sikrer intelligent styring af lyset uanset installationen. SNS212 sensoren har tilstedeværelsessensor og dagslyssensor og kan programmeres med Philips MasterConnect APP. Den primatiske front sikrer et jævnt og blødfrit lys med UGR<19. CCT switch gør det muligt at vælge mellem 3000K eller 4000K. Kan monteres direkte i systemloft med synlig T skinne eller i påbygningsramme. Dette panel er ideelt til både nye installationer samt til renoveringsopgaver, hvor man på en eksisterende on/off installation ønsker dagslysstyring og tilstedeværelsessensor.

Product data

General Informadon	
Light source type	LED
Number of LED module	8pcs
Beam angle of LED module	90°
Color temperature	3000K/4000K
CRI	>80
LED module replaceable	Yes, only by professionals
Number of LED driver	1 unit
Driver included	Yes
L90 lifetime of LED module	N/A
L80 lifetime of LED module	>100,000 hrs
LED module lumen	150 lm/w - ved 25W
Operaring and Electrical	
Input Voltage	200-240 Vac
Input frequency	50 to 60 Hz
System wattage	up to 36W
Power factor	0.95
Surge protection	2kV
Ambient temperature range	-20°C to + 40°C
Performance ambient temperature Tq	+25°C
SDCM	<3 steps
Optical type	PMMA prismatisk

Control and dimming	Philips MasterConnect SNS212
Connection type	2 pole connector
Protection class IEC	Safety class II
Glow-wire test	Temperature 850°C
UGR	<19
PstLM	<1
SVM	<0,4
CE Mark	Yes
EU RoHS compliant	Yes
Net weight (piece)	1.85Kg
Dimension	
Overall length	595mm
Overall width	595mm
Overall height	30 mm
Mechanical and Housing	
Housing material	AL
Optical material	PMMA
Housing color	RAL9016
Heatsink material	Al
Ingress protection code	IP20
Meeh, impact protection code	IK03
Remarks	
LED driver failure rate at 50,000hrs@25°C	5%
Power consumption tolerance	±5%

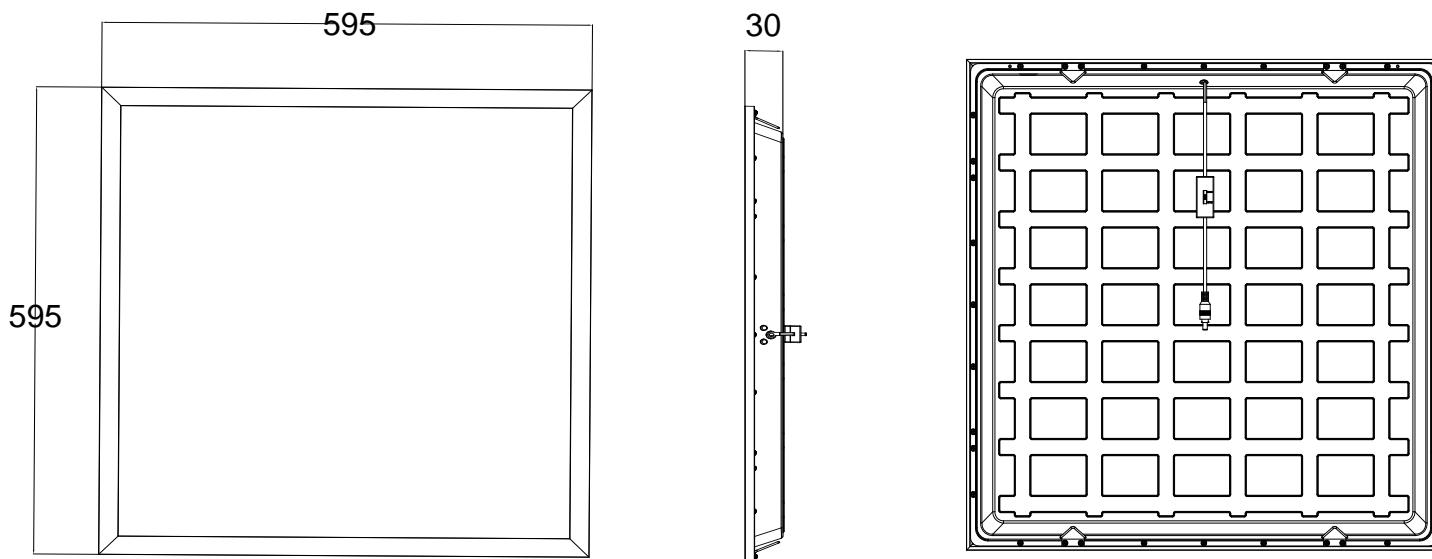
Specificatfons

Varenummer	LED Module Wattage*	Length mm	Width mm	Height mm	CCT (Kelvin)*	Rated Flux (Lm) *	CRI (Ra)*	Beam angle*	Energy Class	Dimming technology
570401560034	36W	595	595	30	CCT switch 3000K/4000K	5040	80	90°	D	Se driver

* Due to the special conditons of the manufacturing processes of LED, the typical data of technical parameters can only rereflect statistical figures and do not necessarily correspond to the actual parameters of each single product which could differ from the typical value. A max 10% tolerance is deemed to be acceptable in any case.

* 6500K version also available upon request.

Dimension drawings



UGR(Unified Glare Rating) Table

NAME: Toledo Prismatic Backlit	TYPE:	WEIGHT:
SPEC.:	DIM.:	SERIAL No.:
MFR.:	SUR.:	Shielding Angle:

ceiling/cavity		0.7	0.7	0.5	0.5	0.3		0.7	0.7	0.5	0.5	0.3
walls		0.5	0.3	0.5	0.3	0.3		0.5	0.3	0.5	0.3	0.3
working plane		0.2	0.2	0.2	0.2	0.2		0.2	0.2	0.2	0.2	0.2
Room dimensions		Viewed crosswise					Viewed endwise					
x = 2H y = 2H		13.4	14.7	13.7	15.0	15.2		13.7	15.0	14.0	15.2	15.5
	3H	14.4	15.6	14.7	15.9	16.1		14.6	15.9	15.0	16.1	16.4
	4H	14.9	16.0	15.2	16.3	16.6		15.2	16.3	15.5	16.6	16.9
	6H	15.3	16.4	15.7	16.7	17.1		15.7	16.8	16.0	17.1	17.4
	8H	15.5	16.6	15.9	16.9	17.2		15.9	17.0	16.3	17.3	17.6
	12H	15.7	16.7	16.1	17.0	17.4		16.1	17.1	16.5	17.5	17.8
	4H	2H	13.8	15.0	14.2	15.3	15.6	14.0	15.2	14.4	15.5	15.8
		3H	15.0	16.0	15.4	16.4	16.7	15.3	16.3	15.7	16.6	17.0
		4H	15.7	16.6	16.1	17.0	17.4	16.0	16.9	16.4	17.2	17.6
		6H	16.3	17.2	16.8	17.5	17.9	16.7	17.5	17.1	17.9	18.3
		8H	16.6	17.4	17.0	17.8	18.2	17.0	17.7	17.4	18.1	18.6
		12H	16.8	17.5	17.3	17.9	18.4	17.3	18.0	17.7	18.4	18.9
	8H	4H	16.0	16.8	16.5	17.2	17.6	16.3	17.0	16.7	17.4	17.9
		6H	16.9	17.5	17.4	18.0	18.4	17.2	17.8	17.6	18.2	18.7
		8H	17.3	17.8	17.8	18.3	18.8	17.6	18.2	18.1	18.6	19.1
		12H	17.6	18.1	18.1	18.6	19.1	18.1	18.6	18.6	19.0	19.6
	12H	4H	16.1	16.8	16.5	17.2	17.6	16.3	17.0	16.8	17.4	17.9
		6H	17.0	17.6	17.5	18.0	18.5	17.3	17.8	17.8	18.3	18.8
		8H	17.5	18.0	18.0	18.5	19.0	17.8	18.3	18.3	18.8	19.3
Variations with the observer position at spacings(CIE Pub.117):												
	S = 1.0H		+ 0.3 / - 0.4					+ 0.3 / - 0.3				
	1.5H		+ 0.1 / - 0.3					+ 0.1 / - 0.2				
	2.0H		+ 0.4 / - 0.5					+ 0.5 / - 0.4				

CIE Pub. 117, 3750lm Total Lamp Luminous Flux Corrected (8log(F/FO)=4.0)

Area:0.3m²